

*HandiMod*TM

Modular Cabinet Series



Imagine
Storage Solutions
Imagine your storage possibilities

HandiMod™ Cabinet Series

Imagine Storage Solutions, Inc. introduces a new series of wood cabinets that encompass all of our customers needs when it comes to cabinetry: beauty, durability, and functionality. These cabinets, unlike the standard permanent mount cabinets, are made to attach to your HandiWall™ product, offering mobility, and also modularity features like no other product currently on the market. Our patent pending method of attachment allows the customer to create their own storage spaces, move cabinets around as they like, even taking them with should the opportunity arise. Heavy-duty steel shelving interacts with the HandiWall™ to ensure significant weight capacity, up to 75 pounds per shelf.



Maple

29"

Available in great colors perfect to match to your HandiWall™, the cabinets are offered in two sizes, 30"X29" and 30"x41" and 14" deep, with an option to create larger cabinets by simply connecting either size to make a single storage unit.

More durable, eye appealing and flexible than resin, more mobile and economical than permanent mount wood, Imagine Storage Solutions offers the very best alternative for your cabinet storage needs.



Maple

29" + 41"



Maple

29" + 29"



Maple

41"



Maple

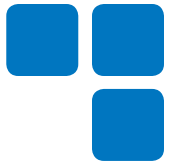
41" + 41"





Gray Glaze 29" + 29"

A great feature of our HandiMod™ Cabinets is the ability to use other Imagine Storage Solutions products. Our hooks, baskets, tool bars and most other accessories can be use on the Handi-wall™ with inside our HandiMod™ cabinets. This feature produces an almost endless range of storage solutions.



The interiors of our HandiMod™ Cabinets you will find high quality European Style concealed Hinges that are fully adjustable.

Strong and durable carbon steel powder coated wire shelves. These shelves are retained by our unique snap in hardware.



HandiMod™ Cabinets attach to our Handiwall™ via our patent pending mounting brackets. This allows backless cabinet design reduces the weight of the cabinet, making for an easier installation. Brackets kits are available to convert other wood cabinets.



Gray Glaze 29"



Luxe 29"

On the exterior of our HandiMod™ Cabinets you will find stainless steel handles. All cabinets are edge banded in black for a modern contrast.



Gray Glaze 29" + 29"

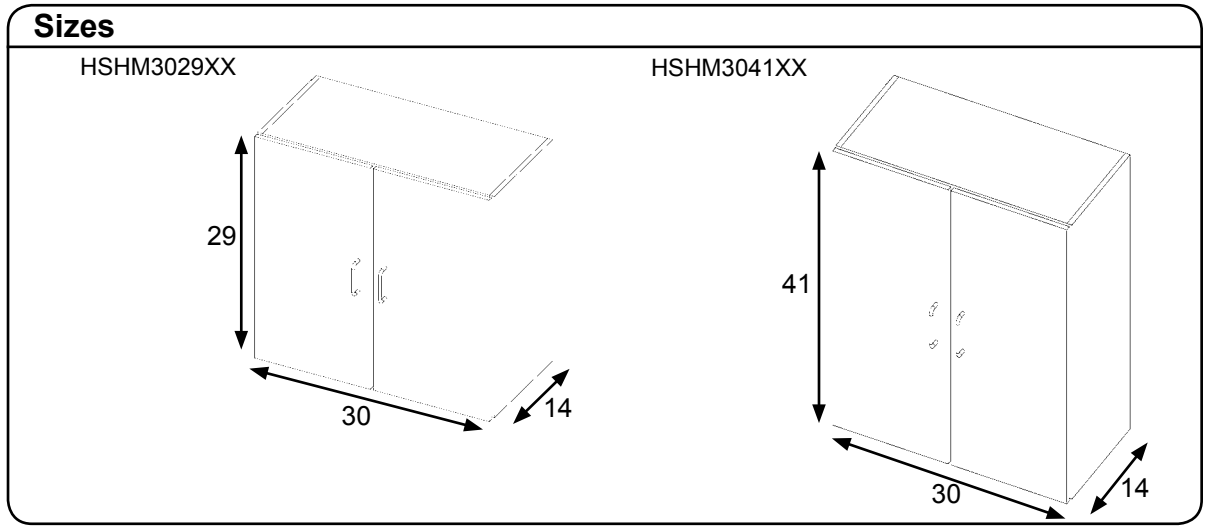


Luxe 29"



Gray Glaze 41" + 29"

HandiMod™ Cabinet Series Data



Part Number	Color	Description	# of Ctns	Cabinet Door Pull	Contents
HSHMC3029CM	Maple	30"x29" Cabinet Maple cabinet Cabinet Mounting & Shelf components	4	S6 Black	Wood cabinet, applicable hardware mounting kit comp., instruct. booklet shelf kit includes two shelves
HSHMC3041CM	Maple	30"x41" Cabinet Maple cabinet Cabinet Mounting & Shelf components	4	S6 Black	Wood cabinet, applicable hardware mounting kit comp., instruct. booklet shelf kit includes three shelves
HSHMC3029GG	Gray Glaze	30"x29" Gray Glaze cabinet Cabinet Mounting & Shelf components	4	S1 Polished Chrome	Wood cabinet, applicable hardware mounting kit comp., instruct. booklet shelf kit includes two shelves
HSHMC3041GG	Gray Glaze	30"x41" Gray Glaze cabinet Cabinet Mounting & Shelf components	4	S1 Polished Chrome	Wood cabinet, applicable hardware mounting kit comp., instruct booklet shelf kit includes three shelves
HSHMC3029LX	Luxe	30"x29" Luxe cabinet Cabinet Mounting & Shelf components	4	S5 Black Nickel	Wood cabinet, applicable hardware mounting kit comp., instruct. booklet shelf kit includes two shelves
HSHMC3041LX	Luxe	30"x41" Luxe cabinet Cabinet Mounting & Shelf components	4	S5 Black Nickel	Wood cabinet, applicable hardware mounting kit comp., instruct. booklet shelf kit includes three shelves

HandiMod™ Kit Options: Available for sale separately

Part Number	Color	Description	# of Ctns	Contents
HSHMCMK4008	Black	Modularity Kit	1	Modularity kit with Black spacers
HSHMCMK2008	Luxe	Modularity Kit	1	Modularity kit with Luxe spacers
HSHMCKIT29	Black	29" Cabinet Kit Cabinet Mounting & Shelf Components	1	Mounting kit comp., instruction. booklet shelf kit includes two shelves
HSHMCKIT41	Black	41" Cabinet Kit Cabinet Mounting & Shelf Components	1	Mounting kit comp., instruction. booklet shelf kit includes three shelves

Imagine
Storage Solutions
Imagine your storage possibilities

P.O. Box 248 Barrington, IL 60011
 www.imaginestorage.com
 info@imaginestorage.com
 1.888.382.1959